



# TX2700

27 MHz CB radio



INSTRUCTION MANUAL

## WARNING

### The TX2700 is a radio transmitting device.

- When transmitting, keep the antenna more than 25 mm from any part of the head or body.
- Do not transmit near electrical blasting equipment or in explosive atmospheres.
- Do not allow children to operate a radio transmitter unsupervised.

## INTRODUCTION

Congratulations. You have just purchased one of the most technically advanced 27 MHz radios in the world.

The GME TX2700 is a 27 MHz AM Citizens Band radio. The TX2700 has a number of enhanced features including fully user programmable Channel Scanning, Priority channel and backlit Liquid Crystal Display with dimming function.

With its compact size it can easily be installed into almost any mounting location in your motor vehicle or motorbike.

Please read this manual thoroughly to ensure you get the best from the TX2700's features.

For users in New Zealand, South Africa or P.N.G. Please refer to amendment for local frequencies, channel allocations and licensing requirements.

## CONTENTS

FEATURES . . . . .	3	OPERATION – CB MODE . . . . .	6
ACCESSORIES SUPPLIED . . . . .	3	Priority Channel . . . . .	6
OPTIONAL ACCESSORIES. . . . .	3	Dual Watch (CB Mode). . . . .	6
CONTROLS . . . . .	3	27 MHZ CB CHANNEL ASSIGNMENTS . . . . .	7
Front Panel . . . . .	3	INSTALLATION . . . . .	8
Rear Panel . . . . .	3	Location . . . . .	8
Microphone. . . . .	4	Installing the unit. . . . .	8
Display . . . . .	4	DC Connections. . . . .	8
OPERATION - GENERAL FUNCTIONS . . . . .	5	Antenna Installation. . . . .	8
Volume on/off . . . . .	5	Noise Suppression . . . . .	9
Squelch Control . . . . .	5	Fitting the Microphone. . . . .	9
Channel Selection . . . . .	5	Removing the Microphone. . . . .	9
Display Brightness . . . . .	5	SPECIFICATIONS . . . . .	10
Transmitting. . . . .	5	SC CONTRACT WARRANTY AGAINST DEFECTS . .	11
Noise Limiter . . . . .	5	CONTACTS . . . . .	12
Scanning . . . . .	5		

## FEATURES

- LCD display with lamp dimming function
- Rotary Squelch Control
- Channel Scanning with Memory
- Advanced Noise Limiter (NL) circuitry
- Surface Mount Technology
- Provision for up to 10 private channels (GME programmable option only).
- Priority Channel for CB Application

## ACCESSORIES SUPPLIED

- TX2700 Radio Unit
- Microphone Clip
- Mounting Cradle
- DC Lead
- Instruction Manual
- Screw Pack
- Microphone

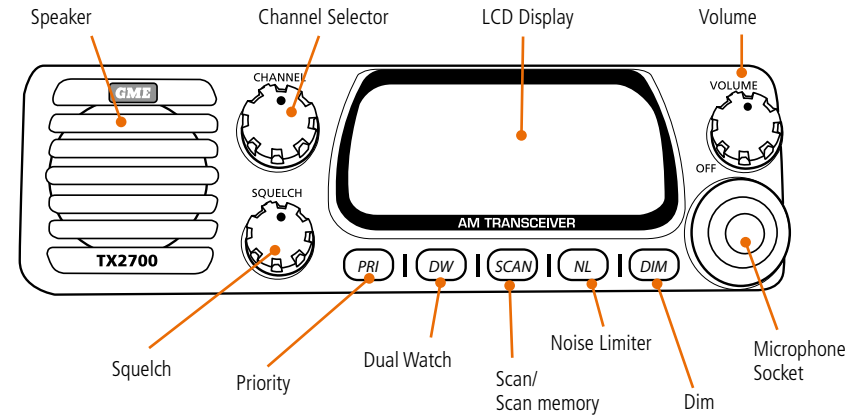
If any items are missing or damaged, please contact your retailer or place of purchase.

## OPTIONAL ACCESSORIES

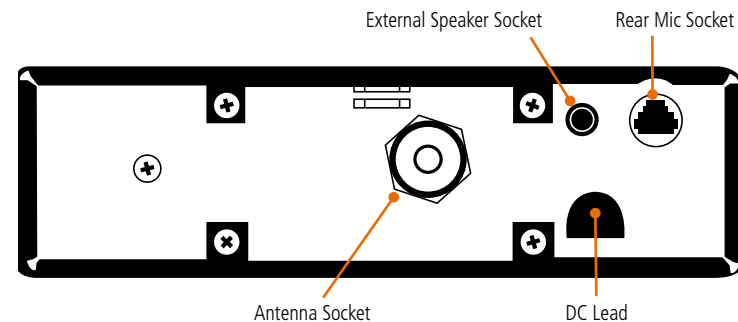
- MK200B Flush mounting kit
- LEM6P 4 metre microphone extension lead

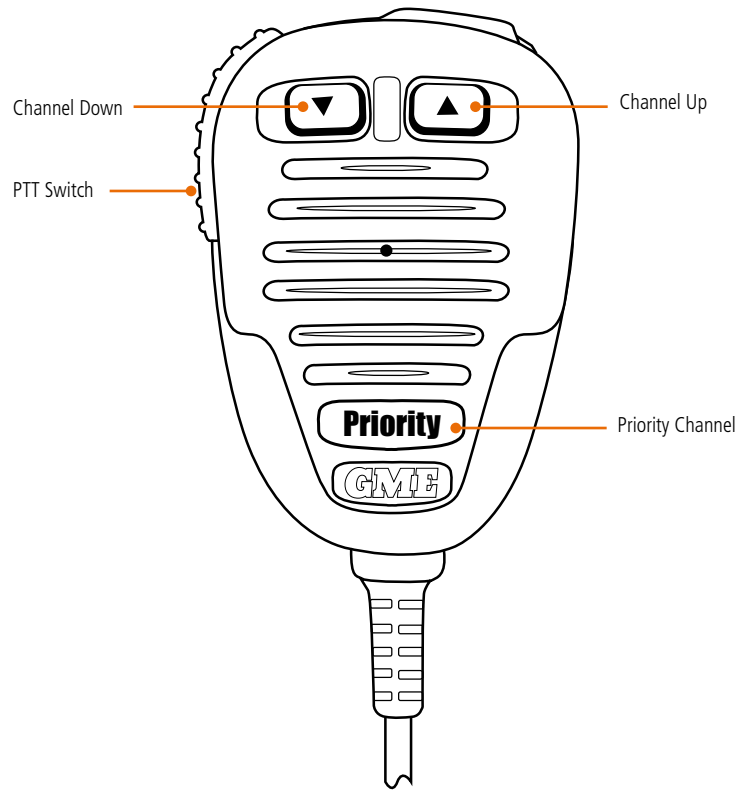
## CONTROLS

### FRONT PANEL



### REAR PANEL





DISPLAY

DISPLAY	FUNCTION
88	Channel Number
<b>TX</b>	Transmit Indicator
<b>BUSY</b>	Busy Indicator
	RX Sensitivity
<b>SCAN</b>	Scan
<b>DW</b>	Dual Watch
<b>PRI</b>	Priority Channel
<b>M</b>	Scan Memory
<b>NL</b>	Noise Limiter
<b>EXT</b>	External Microphone
<b>PRG</b>	PC Programming



VOLUME ON/OFF

Rotate the **volume** control clockwise past the 'Click' to turn the TX2700 ON. Continue to advance the control clockwise to increase the volume. Rotate the control counter-clockwise to turn the radio off.

**NOTE:** At minimum volume setting there is still sufficient volume to be heard in a quiet cabin environment.

SQUELCH CONTROL

The Squelch control is used to eliminate the background noise when there are no signals present. To adjust the Squelch, first rotate it fully counter-clockwise until the background noise is heard, then slowly rotate it clockwise until the noise just disappears. If there are signals on the channel, you should wait until the channel is clear before adjusting the Squelch (or select a quiet channel).

Once adjusted, the receiver will remain quiet as long as there are no signals present, but an incoming signal will override the Squelch and be heard in the speaker. As the control is advanced further clockwise the Squelch threshold is progressively increased and stronger incoming signals are needed to override it. To receive very weak signals or to disable the Squelch, simply turn the control fully counter-clockwise.

CHANNEL SELECTION

Select the required channel by briefly pressing the ▲ or ▼ keys. The selected channel is displayed on the LCD display. Press and hold either key to quickly advance upwards or downwards through the channels. Release the key when the required channel is displayed or:

Select the required channel via the Rotary 'Channel Selector'. The selected channel number is displayed on the LCD.

DISPLAY BRIGHTNESS

The LCD has two brightness levels to provide suitable lighting for day or night use. The default setting is bright.

The desired brightness level can be selected via the 'Dim' switch located on the front panel.

TRANSMITTING

To transmit, press the **PTT** button on the microphone. Hold the microphone 2-6 cm from your mouth and slightly to one side so your voice does not project directly into the microphone. Speak at a normal voice level. Your TX2700 has a built-in speech processor which automatically controls the level of your transmitted voice. It is not necessary to raise your voice or shout into the microphone.

NOISE LIMITER

The **NL** key activates an extremely effective noise limiter circuit which helps to eliminate most electrical impulse interference caused by engine ignition systems etc. This allows clearer reception of weak signals even under noisy electrical conditions.

When the **NL** key is selected, 'NL' is displayed on the LCD.

SCANNING

The TX2700 is fitted with a Scan function that allows a group of user selected channels to be scanned for activity. Your TX2700 has a Scan memory which remembers which channels you would like to Scan. By default your TX2700 is supplied with all channels in the Scan memory.

To see which channels are presently in the Scan memory

Select each channel one by one using the ▲ or ▼ key or rotary selector and check to see if 'M' is displayed to the lower right of the channel number.

If 'M' is displayed, the channel is in the Scan memory.

To Add or Remove a channel from the Scan memory

Select the required channel, then press and hold the **SCAN** key until a beep is heard. If 'M' appears to the lower right of the channel number, the channel has been added to the Scan memory, otherwise it has been removed.

To Scan

Adjust the Squelch control so the radio is quiet, then briefly press the **SCAN** key. A high beep will be heard, 'SCAN' will appear in the display and the channel numbers will change rapidly as the radio begins scanning. If a signal is found, the radio will pause on that channel and will remain there as long as the channel remains busy. Once the channel has been clear for 5 seconds, scanning will resume.

**NOTE:** You must have at least two channels programmed into the Scan memory otherwise the radio won't scan.

To change the Scan direction

Press the ▲ or ▼ key. The radio will scan in the direction of the selected channel key.

### To skip over a busy channel and resume scanning:

Briefly press the ▲ or ▼ key. Scanning will resume.

### To transmit on a busy channel:

Wait for a break in the conversation, then press the **PTT** switch. The radio will exit the Scan mode and stay on the channel allowing you to communicate with others on that channel.

To resume scanning briefly press the **SCAN** key again.

**NOTE:** If the **PTT** is pressed while the radio is scanning, it will be ignored and a low beep will be heard when the **PTT** is released.

## OPERATION - CB MODE

### PRIORITY CHANNEL

The Priority channel is preset to channel 8 allowing it to be instantly recalled at the press of a key.

### To use the Priority channel

Simply press the **Priority** key at any time. The radio will jump straight to channel 8. If 'Scan' or 'DW' was selected, they will be cancelled.

### To return to the previously selected channel

Press the **Priority** key again.

### DUAL WATCH

Dual Watch in CB mode allows your TX2700 to monitor both the Priority channel and another selected channel by quickly switching between them. Any signals received on the Priority channel take precedence over signals on the selected channel.

To use the Dual Watch feature, adjust the **Squelch** control so the radio is quiet, select your preferred channel using the ▲ or ▼ keys or rotary selector then press the **DW** key. 'DW' will appear on the display and the channel display will alternate between your selected channel and the Priority channel.

If a signal is received on your selected channel, the radio will pause on that channel but will continue to switch to the Priority channel every 2 seconds and a brief interruption to the signal will be noticed. Once the signal has gone, normal Dual Watch switching will resume.

### To exit the Scan mode manually:

Briefly press the **SCAN** key. 'SCAN' will disappear from the display.

**NOTE:** Excessive noise on a channel can cause the scanning to pause on that channel even if there is no signal there. If this only happens on one channel, you may need to remove that channel from the scan memory. If it happens on all channels, you should try increasing the squelch setting.

If a signal appears on the Priority channel at any time, the radio will stop switching and will remain on the Priority channel for as long as the signal is present. Once the signal has gone, normal Dual Watch switching will resume.

**NOTE:** If you press the **PTT** switch while Dual Watch is selected, your TX2700 will transmit on the selected channel. If you wish to talk on the Priority channel, press the **Priority** key to cancel the Dual Watch and switch straight to the Priority channel.

## 27 MHz CB RADIO ASSIGNMENTS

Channel	Frequency	Suggested Usage
1	26.965 MHz	General Use
2	26.975 MHz	General Use
3	26.985 MHz	General Use
4	27.005 MHz	General Use
5	27.015 MHz	General Use
6	27.025 MHz	General Use
7	27.035 MHz	General Use
8	27.055 MHz	General Use
9	27.065 MHz	Emergency (1)
10	27.075 MHz	General Use
11	27.085 MHz	Call Channel
12	27.105 MHz	General Use
13	27.115 MHz	General Use
14	27.125 MHz	General Use
15	27.135 MHz	General Use
16	27.155 MHz	General Use
17	27.165 MHz	General Use
18	27.175 MHz	General Use
19	27.185 MHz	General Use
20	27.205 MHz	General Use
21	27.215 MHz	General Use
22	27.225 MHz	General Use
23	27.255 MHz	General Use
24	27.235 MHz	General Use
25	27.245 MHz	General Use
26	27.265 MHz	General Use
27	27.275 MHz	General Use
28	27.285 MHz	General Use
29	27.295 MHz	General Use
30	27.305 MHz	General Use
31	27.315 MHz	General Use
32	27.325 MHz	General Use
33	27.335 MHz	General Use
34	27.345 MHz	General Use
35	27.355 MHz	General Use
36	27.365 MHz	General Use
37	27.375 MHz	General Use
38	27.385 MHz	General Use
39	27.395 MHz	General Use
40	27.405 MHz	General Use

(1) Legally Designated

## INSTALLATION

### LOCATION

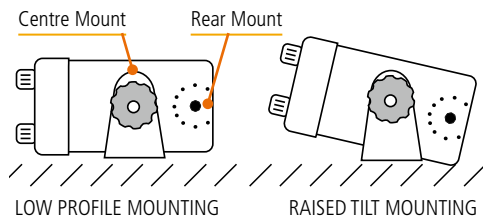
It is advisable to spend a little time selecting the best location for your TX2700. The mounting bracket can be rotated above, below or behind the radio enabling the radio to be mounted in a wide range of locations. In addition, an optional flush mounting kit allows the radio to be flush mounted in a panel or dashboard.

#### When choosing a location:

- Select a location that won't expose your radio to continuous direct sunlight which could cause overheating.
- Ensure the location allows a free flow of air around the heat sink on the back of the radio.
- The microphone and all controls should be readily accessible and the loud speaker easily heard from the normal driving position. An extension speaker can be installed if required.
- Electronic interference caused by other electronic devices is best minimized by mounting your TX2700 at least 300 mm from such devices, including all wiring and cables.

### INSTALLING THE UNIT

After choosing a location, hold the unit with the mounting bracket attached, to the desired position and mark the location with a pencil. Remove the mounting bracket from the radio and drill the mounting holes. Bolt or screw the bracket in place using hardware suitable for the mounting surface. The unit is supplied with steel screws, however, if the mounting surface is unsuitable for screws you may need to replace these with bolts. Remember the fixings for overhead mounted units may have to withstand being driven on unsealed roads.



The TX2700 mounting bracket is designed with a unique dual position gimbal mounting slot. This design not only allows the TX2700 to be tilted over a much greater range, but also provides a slim, low profile mounting position for installations where space is very limited.

### Flush Mounting –

(Optional MK200B flush mounting kit available)



### DC CONNECTIONS

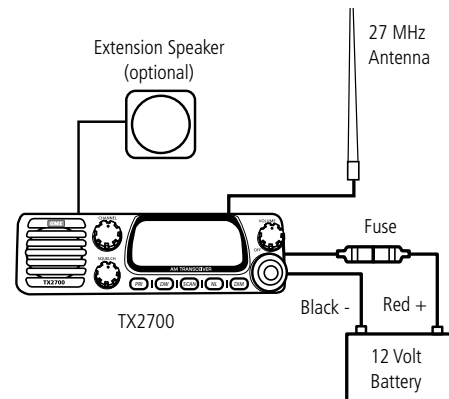
Connect the RED power lead to the positive (+) side of the battery or to an accessory point in the vehicle's fuse box.

Connect the BLACK power lead to the negative (-) side of the battery or to a ground point in your vehicle.

**NOTE:** The DC Connector is not waterproof. If installed in an exposed location, the connector should be protected with waterproof tape to prevent water ingress.

**IMPORTANT:** The RED power lead is fitted with a 2 Amp fuse. If the fuse blows, use only a standard 2 Amp (3AG) fuse as a replacement. Use of a higher rated fuse or a slow-blow type could result in damage to your radio which would void the warranty.

If required, an extension speaker may be installed to improve sound levels in noisy environments or in locations further away from the driving position. For locations exposed to water we recommend the SPK45B which will fit to the supplied adaptor that connects to the extension speaker socket on the rear of the radio.



### ANTENNA INSTALLATION

It is essential to select a good quality, high efficiency, 27 MHz antenna. A poor quality antenna or one not designed for the specific frequency band you are using will give very poor performance.

GME have a large range of suitable 27 MHz CB antennas to suit most installations and applications. We recommend you contact your local GME dealer for advice.

Connect the antenna cable to the rear antenna socket using a PL259 coaxial connector.

### NOISE SUPPRESSION

27 MHz CB radio can be prone to electrical and ignition interference. The reason is that electrical noise is a form of AM transmission similar to that used by your radio and your radio's receiver is very sensitive. In most cases, ignition noise can be greatly reduced or eliminated by selecting the **Noise Limiter (NL)** key on the radio. In some severe cases, additional suppression may need to be fitted to the ignition system of your vehicle, in which case we recommend you consult an Auto Electrician for advice specific to your installation.

### FITTING THE MICROPHONE

The microphone uses a miniature 6 pin telephone style plug and socket.

#### Fitting microphone to the front panel

1. Position the microphone plug so the plastic tab faces sideways to the left on the front panel. Press the plug into the socket until it 'clicks'.
2. Gently press the rubber strain relief into the hole surrounding the socket so that the slot around the strain relief fits neatly inside the lip of the hole.

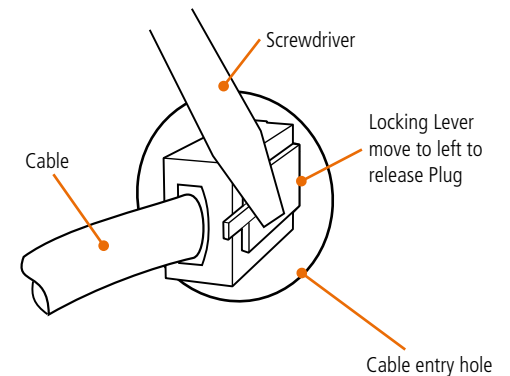
#### Fitting microphone to the rear panel

1. Position the microphone plug so the plastic tab faces upwards on the rear panel. Press the plug into the socket until it 'clicks'.
2. Gently press the rubber strain relief into the hole surrounding the socket so that the slot around the strain relief fits neatly inside the lip of the hole.

#### Removing the microphone

1. Squeeze the rubber strain relief near the front panel to disengage the slot, and slide the strain relief back along the microphone cord.
2. Press the small plastic tab on the microphone plug towards the plug to unlock it, while gently pulling the plug outwards. If the plug does not come out easily, the tab has not released correctly and should be pressed again. You may need a small bladed screwdriver for this task, as the tab can be difficult to reach with your fingers.

If required, replacement microphones are available with plug and rubber boot already fitted.



### Rear Microphone Connection

The TX2700 also has a rear microphone connection. To use this facility, remove the rubber grommet on the rear of the radio and insert into the front panel of the radio. Insert the microphone plug into rear microphone connection.

### Microphone Extension Lead

The LEM6P is a 4 metre microphone extension lead that can be fitted to the microphone socket.

## SPECIFICATIONS

### ELECTRICAL

#### General

- Complies With:** AS4367 and AS/NZS4355 (Australia only).
- Frequency Range:** 26.965 – 27.405 MHz
- Channel Set:** Australian 27 MHz Citizens Band.
- Modulation:** AM (A3E)
- Supply Voltage:** • 12.6 V DC nominal  
• 10.8 – 15.2 V DC range.
- Frequency Error:** < 50 PPM over temperature range.
- Dual Watch:** Monitor time – 250 ms  
Monitor period – 2 seconds.
- Scan Rate:** 5 channels/second

#### Transmitter

- Modulation Frequency Response:** 300 Hz to 3 kHz, + 1 – 3 dB
- Max Modulation Depth:** 100%
- Carrier Output Power:** 4 watts max
- Microphone Level @ 1 kHz for 60% Modulation:** 1 Pa
- Spurious Emissions:** < – 26 dBm

#### Receiver

- Demodulated Frequency Response:** 300 Hz to 3 kHz, + 1 – 3 dB
- Receive Sensitivity for 12 dB SINAD @ 30% Modulation:** - 110 dBm
- Max Squelch:** < - 80 dBm
- Adjacent Channel Sensitivity:** ≥ 55 dB
- Spurious Response Immunity:** ≥ 55 dB
- Conducted Spurious Radiation:** – 57 dBm
- Audio Output Power 8 Ohms:** 2.5 watts

#### MECHANICAL

- Dimensions:** 51 (H) x 94 (D) x 170 (W) mm
- Weight:** 450 grams

#### ENVIRONMENTAL

- Temperature Range:** – 10°C to + 60°C

The TX2700 will operate over the 26-30 MHz frequency range. For information specific to frequencies outside of the Australian CB bands, please refer to the appropriate amendment, or contact GME at: [export@gme.net.au](mailto:export@gme.net.au)

## STANDARD COMMUNICATIONS CONTRACT WARRANTY AGAINST DEFECTS

This warranty against defects is given by Standard Communications Pty Ltd ACN 000 346 814 (We, us, our or GME). Our contact details are set out in clause 2.7.

### 1. Consumer guarantees

- 1.1 Our goods come with guarantees that cannot be excluded under the Australian Consumer Law. You are entitled to a replacement or refund for a major failure and for compensation for any other reasonably foreseeable loss or damage. You are also entitled to have the goods repaired or replaced if the goods fail to be of acceptable quality and the failure does not amount to a major failure.
- 1.2 To the extent we are able, we exclude all other conditions, warranties and obligations which would otherwise be implied.

### 2. Warranty against defects

- 2.1 This Warranty is in addition to and does not limit, exclude or restrict your rights under the Competition and Consumer Act 2010 (Australia) or any other mandatory protection laws that may apply.
- 2.2 We warrant our goods to be free from defects in materials and workmanship for the warranty period (see warranty table) from the date of original sale (or another period we agree to in writing). Subject to our obligations under clause 1.2, we will at our option, either repair or replace goods which we are satisfied are defective. We warrant any replacement parts for the remainder of the period of warranty for the goods into which they are incorporated.
- 2.3 To the extent permitted by law, our sole liability for breach of a condition, warranty or other obligation implied by law is limited
- (a) in the case of goods we supply, to any one of the following as we decide -
    - (i) the replacement of the goods or the supply of equivalent goods;
    - (ii) the repair of the goods;
    - (iii) the cost of repairing the goods or of acquiring equivalent goods;
  - (b) in the case of services we supply, to any one of the following as we decide –
    - (i) the supplying of the services again;
    - (ii) the cost of having the services supplied again.
- 2.4 For repairs outside the warranty period, we warrant our repairs to be free from defects in materials and workmanship for three months from the date of the original repair. We agree to re-repair or replace (at our option) any materials or workmanship which we are satisfied are defective.

- 2.5 We warrant that we will perform services with reasonable care and skill and agree to investigate any complaint regarding our services made in good faith. If we are satisfied that the complaint is justified, and as our sole liability to you under this warranty (to the extent permitted at law), we agree to supply those services again at no extra charge to you.
- 2.6 To make a warranty claim you must before the end of the applicable warranty period (see warranty table), at your own cost, return the goods you allege are defective, provide written details of the defect, and give us an original or copy of the sales invoice or some other evidence showing details of the transaction.
- 2.7 Send your claim to:  
Standard Communications Pty Ltd. Unit B, 22-24 College Street, Gladesville, NSW 2111, Australia.  
Tel: (02) 9879 8888 Fax: (02) 9816 4722.  
Email: [servadmin@gme.net.au](mailto:servadmin@gme.net.au)
- 2.8 If we determine that your goods are defective, we will pay for the cost of returning the repaired or replaced goods to you, and reimburse you for your reasonable expenses of sending your warranty claim to us.

### 3. What this warranty does not cover

- 3.1 This warranty will not apply in relation to:
- (a) goods modified or altered in any way;
  - (b) defects and damage caused by use with non Standard Communications products;
  - (c) repairs performed other than by our authorised representative;
  - (d) defects or damage resulting from misuse, accident, impact or neglect;
  - (e) goods improperly installed or used in a manner contrary to the relevant instruction manual; or
  - (f) goods where the serial number has been removed or made illegal.

### 4. Warranty period

- 4.1 We provide the following warranty on GME and Kingray products. No repair or replacement during the warranty period will renew or extend the warranty period past the period from original date of purchase.

PRODUCT TYPE	WARRANTY PERIOD
27 MHz land, marine and broadcast transceivers.	1 year

Specifications are typical unless otherwise indicated and may be subject to change without notice or obligation.



A division of: **Standard Communications Pty. Ltd.**

**HO:** Locked bag 2086, North Ryde, NSW 1670, Australia. **T:** +61 (0)2 9844 6666 **F:** +61 (0)2 9844 6600

**Adelaide:** Unit 1, 14 Phillips St, Thebarton, SA 5031  
**T:** (08) 8234 2633 **F:** (08) 8234 5138

**Brisbane:** Unit 1, 89-101 Factory Rd, Oxley, QLD 4075  
**T:** (07) 3278 6444 **F:** (07) 3278 6555

**Melbourne:** 7 Micro Circuit, Dandenong South, VIC 3165  
**T:** (03) 9798 0988 **F:** (03) 9798 0177

**Perth:** Unit 1, 10-12 Harvard Way, Canning Vale, WA 6155  
**T:** (08) 9455 5744 **F:** (08) 9455 3110

**Sydney:** Unit B, 22-24 College St, Gladesville, NSW 2111  
**T:** (02) 9879 8888 **F:** (02) 9816 4722

**Auckland:** 2/24 Bishop Dunn Pl, East Tamaki,  
Manakau 2163 NZ **T:** (09) 274 0955 **F:** (09) 274 0959

For customers outside Australia and New Zealand please contact your local GME retailer or email: [export@gme.net.au](mailto:export@gme.net.au)

[www.gme.net.au](http://www.gme.net.au)