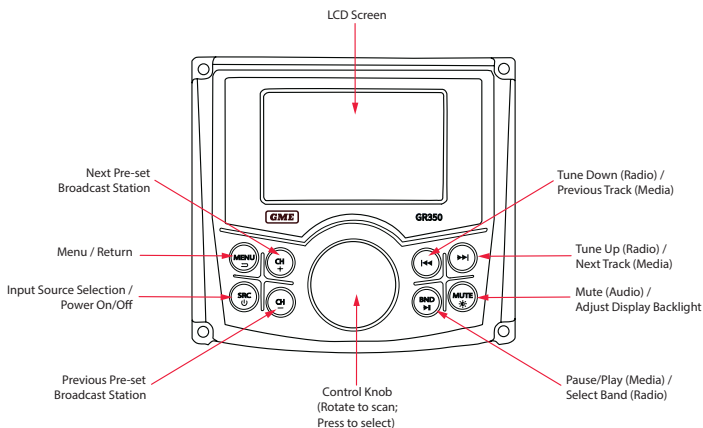


GENERAL OPERATION

CONTROLS

The diagram below details the operational controls of the GR350BT radio.



AM/FM RECEIVER OPERATION

The GR350BT has two AM bands, and three FM bands.

The 5 frequency bands are labelled as AM1, AM2, FM1, FM2 and FM3.

To manually tune the radio to the desired frequency, briefly press the **Tune Up** or **Tune Down** button.

To scan for stations automatically, press and hold the **Tune Up** or **Tune Down** button.

BLUETOOTH OPERATION

Using Bluetooth®, you can stream A2DP audio directly to your radio.

Press the **SRC** button repeatedly to cycle through the radio's available input sources. Alternatively, select **Bluetooth** from the menu.

To pair your smart phone, view the list of available Bluetooth® devices (some devices require you to tap **Scan** to populate the list). Select 'GR350BT' when it appears on the list.

NOTE: The GR350BT radio supports music streaming only. It does not support making or receiving calls.

MULTIMEDIA OPERATION

The GR350BT radio can play a variety of multimedia files music / movies / photos directly from a USB memory drive up to 16GB in size.

GME Warranty against Defects

This warranty against defects is given by GME Pty Ltd ACN 000 346 814 (We, us, our or GME). Our contact details are set out in clause 2.7.

1. Consumer guarantees

1.1 Our goods come with guarantees that cannot be excluded under the Australian Consumer Law. You are entitled to a replacement or refund for a major failure and for compensation for any other reasonably foreseeable loss or damage. You are also entitled to have the goods repaired or replaced if the goods fail to be of acceptable quality and the failure does not amount to a major failure.

1.2 To the extent we are able, we exclude all other conditions, warranties and obligations which would otherwise be implied.

2. Warranty against defects

2.1 This warranty is in addition to and does not limit, exclude or restrict your rights under the Competition and Consumer Act 2010 (Australia), or any other mandatory protection laws that may apply.

2.2 We warrant our goods to be free from defects in materials and workmanship for the warranty period (see warranty table) from the date of original sale (or another period we agree to in writing). Subject to our obligations under clause 1.2, we will at our option, either repair or replace goods which we are satisfied are defective. We warrant any replacement parts for the remainder of the period of warranty for the goods into which they are incorporated.

2.3 To the extent permitted by law, our sole liability for breach of a condition, warranty or other obligation implied by law is limited

(a) in the case of goods we supply, to any one of the following as we decide –

- (i) the replacement of the goods or the supply of equivalent goods;
- (ii) the repair of the goods;
- (iii) the cost of repairing the goods or of acquiring equivalent goods;

(b) in the case of services we supply, to any one of the following as we decide –

- (i) the supplying of the services again;
- (ii) the cost of having the services supplied again.

2.4 For repairs outside the warranty period, we warrant our repairs to be free from defects in materials and workmanship for three months from the date of the original repair. We agree to re-repair or replace (at our option) any materials or workmanship which we are satisfied are defective.

2.5 We warrant that we will perform services with reasonable care and skill and agree to investigate any complaint regarding our services made in good faith. If we are satisfied that the complaint is justified, and as our sole liability to you under this warranty (to the extent permitted at law), we agree to supply those services again at no extra charge to you.

2.6 To make a warranty claim you must before the end of the applicable warranty period (see warranty table), at your own cost, return the goods you allege are defective, provide written details of the defect, and give us an original or copy of the sales invoice or some other evidence showing details of the transaction.

2.7 Send your claim to:

GME Pty Ltd.
PO Box 96 Winston Hills, NSW 2153, Australia.
Tel: (02) 8867 6000 Fax: (02) 8867 6199
Email: servadmin@gme.net.au

2.8 If we determine that your goods are defective, we will pay for the cost of returning the repaired or replaced goods to you, and reimburse you for your reasonable expenses of sending your warranty claim to us.

3. What this warranty does not cover

3.1 This warranty will not apply in relation to:

- (a) goods modified or altered in any way;
- (b) defects and damage caused by use with non GME products;
- (c) repairs performed other than by our authorised representative;
- (d) defects or damage resulting from misuse, accident, impact or neglect;
- (e) goods improperly installed or used in a manner contrary to the relevant instruction manual; or
- (f) goods where the serial number has been removed or made illegible.

4. Warranty period

4.1 We provide the following warranty on GME products. No repair or replacement during the warranty period will renew or extend the warranty period past the period from original date of purchase.

PRODUCT TYPE	WARRANTY PERIOD
LAND AND MARINE ENTERTAINMENT SYSTEMS	1 YEAR



Requires **Bluetooth®** 2.1 or later.

The *Bluetooth®* word mark and logos are registered trademarks owned by the Bluetooth SIG, Inc. and any use of such marks by GME is under license. Other trademarks and trade names are those of their respective owners.



gme.net.au
GME Pty Ltd

17 Gibbon Road, Winston Hills NSW 2153, Australia

Drawing No: 51154-2 Part No: 311115

Find us on



GR350BT Quick Start Guide

Marine Bluetooth® Radio

The full Instruction Manual can be downloaded from www.gme.net.au

INTRODUCTION

Congratulations on purchasing your compact AM/FM Marine Stereo with bluetooth. Your GME GR350BT Marine Stereo combines the very latest in electronic hardware and software, to produce an extremely compact entertainment system with innovative features and outstanding performance.

WHAT'S IN THE BOX

- GR350BT AM/FM marine stereo
- DC power lead
- Mounting hardware
- Speaker leads
- Mounting template
- Quick start guide

KEY FEATURES

- Bluetooth streaming
- 4 X 40W Speaker outputs
- USB/AUX inputs
- Full-colour 69 cm (2.7") TFT LCD display
- Built-in AM/FM tuner
- Water-resistant

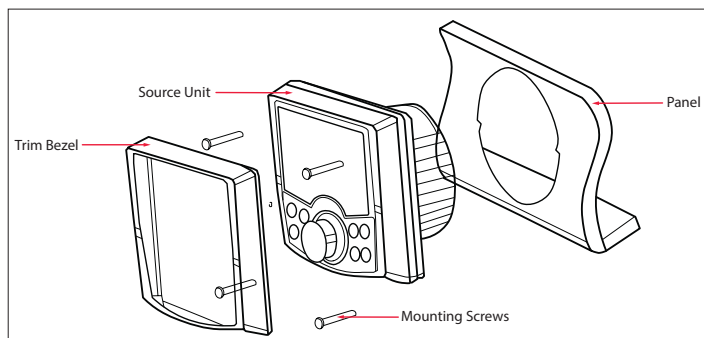
INSTALLATION

CHOOSING A LOCATION FOR YOUR RADIO

The GR350BT is designed for in-dash mounting in an accessible position near your vessel's steering position. Keep the following points in mind when choosing a location:

- Minimise excessive exposure to continuous rain or spray, excessive vibration or continuous direct sunlight.
- Allow room behind the radio to run the DC Lead to the power source.
- Allow a free flow of air around the heat sink at the back of the radio.
- To avoid interference with compasses, ships autopilot sensors etc., the GR350BT radio should be mounted at least 300 mm away from such devices.

MOUNTING THE RADIO



NOTE: Select a suitable mounting location. Then examine the area behind the panel to determine if there is sufficient access for routing the cables and fitting the mounting screws. For panels of 6 – 9 mm thickness such as aluminium, plywood or fibreglass, the unit can be mounted using the 12 mm screws supplied (refer the diagram above).

1. Cut out a circular hole 80 mm (3.15 inch) in diameter on your mounting location. Keep in mind that at least 140 mm (5.5 inch) depth is needed to mount the radio.

IMPORTANT: Do not mount this unit where it can be submerged in water.

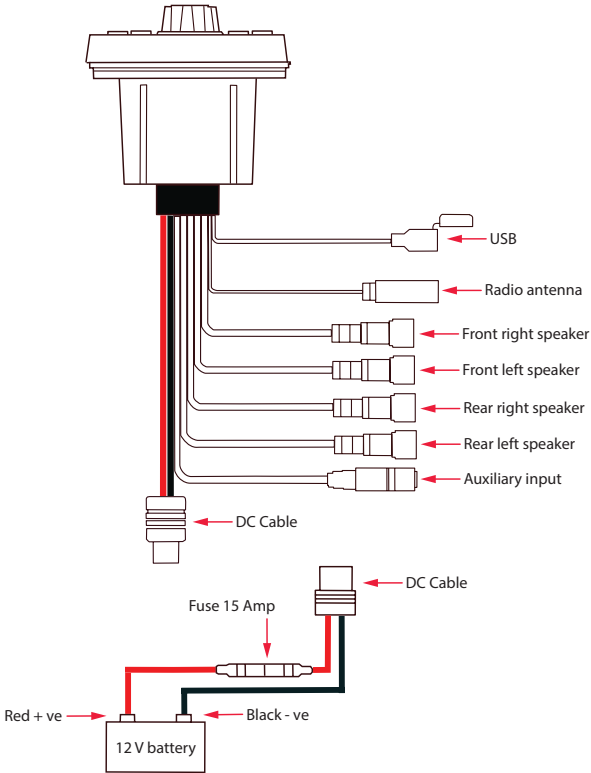
2. Use the supplied mounting template to mark and drill holes for the four mounting screws.
3. Secure unit with the supplied screws.
4. Press on the Trim Bezel to the front side of the unit.
5. Plug in all wiring harnesses and cables.
Refer the wiring diagram in this guide for details.

WIRING & CONNECTIONS

When connecting the GR350BT to the electrical system of your vessel, please refer the wiring diagram on the next page.

CAUTION: The GR350BT is designed for vessels with a 12 Volt DC negative (-) ground (earth) electrical system only. Reverse polarity or over-voltage connection will result in internal damage to your unit, voiding the warranty and requiring servicing by qualified personnel.

WIRING DIAGRAM



ANTENNA INSTALLATION AND CONNECTION

It is essential to select a good quality AM/FM antenna. The antenna should be mounted in a position as high as practically possible to ensure good reception, especially in areas with low signal strength. When installing the antenna, ensure a minimum clearance of around 20 cm from bow or stern rails or windscreen frames etc. Place the antenna at least 1 metre from two-way radio antennas to minimise interference from radio transmissions.

To connect the antenna to your radio:

Plug the antenna lead into the fly-leaded antenna socket on the rear of the unit. The socket accepts a standard AM/FM radio bayonet type connector.

NOTE: The antenna socket is not water-proof. Ensure that all connections are water-proofed.

DC CONNECTIONS

While connecting the radio, refer the wiring diagram in this guide.

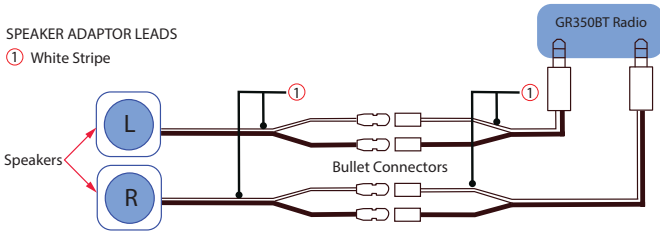
1. Connect the RED power lead to the Positive (+) side of the battery or to an accessory point in the vessel or vehicle's fuse box that provides a +12 Volt DC connection.
2. Connect the BLACK power lead to the Negative (-) side of the battery or to a ground point in your vessel or vehicle.

SPEAKER CONNECTIONS

When connecting the speakers to your radio, the speakers should be connected to the respective FRONT (left/right) and REAR (left/right) speaker fly-leaded sockets at the back of the unit.

The GR350BT radio is supplied with four 3.5 mm speaker adapter leads. The speaker adapters are labelled and should be matched with the labels on the speaker socket fly-leads to ensure correct speaker phasing. Incorrect polarity (speaker phasing) will result in a significant reduction of bass response and stereo effect.

When connecting the speakers, observe the correct speaker polarity by matching the white stripes on the speaker leads with the white stripes on the adaptor cable, as shown in the connections diagram below. Connect all four speakers as shown in the connection diagram below. If you wish to connect only two speakers, connect these to the Front speaker sockets and adjust the Fader control to the FRONT speakers. To protect against water ingress, replace the protective covers on any unused speaker sockets.



CAUTION:

1. The GR350BT is a four-speaker system that requires two separate wires for each speaker. DO NOT touch the speaker wires together or allow them to touch other wiring or the vessel ground (earth).
2. The use of speakers with an impedance of LESS than 4 Ohms is NOT recommended, as they will cause excessive loading of the GR350BT's audio output circuit and may result in the radio overheating.