

New Product Release

XRS-RJ45W6 and XRS-RJ45R6 Universal Pass-through Adaptor



9th March 2021

GME is excited to introduce the latest addition to our XRS-RJ45 pass-through adaptor range to complement our revolutionary XRS™ Connect UHF CB radios.

The current range of XRS-RJ45 pass-through adaptors allows for a XRS™ Connect controller microphone fitted with an RJ45 connector to be integrated directly into a range of blank OEM switch locations, providing a neat and professional finish. Our new XRS-RJ45W6 and XRS-RJ45R6 allows fitment in a wide variety of 4WD's, light, medium and heavy-duty trucks, and agricultural equipment providing a neat factory appearance.

The XRS-RJ45W6 and XRS-RJ45R6 features a CAT.6 compliant, fully shielded housing to minimise RF interference and dual lateral supports front and back for an extremely stable connection ensuring trouble free communication. The design is ideally suited to universal installations providing a neat finish but will also fit into factory dash locations on a variety of older vehicles.

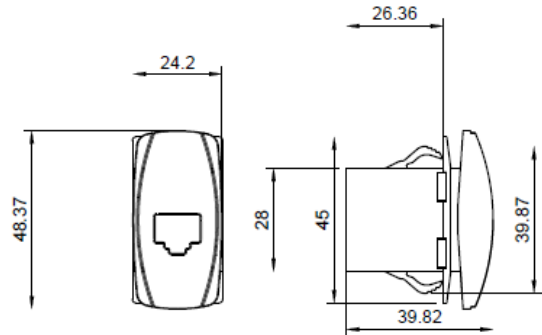
For more information, visit www.gme.net.au

GME Pty Ltd. ABN: 93 000 346 814 ACN: 000 346 814

gme.net.au T: (02) 8867 6000 | F: (02) 8867 6199 | Sales: 1300 463 463 | Email: enquiries@gme.net.au
Head Office: 17 Gibbon Road, Winston Hills, NSW 2153, Australia | PO Box 96, Winston Hills, NSW 2153, Australia

New Product Release

XRS-RJ45W6 and XRS-RJ45R6 Universal Pass-through Adaptor



Key Specs

- Suits XRS™ Connect UHF CB Radios
- CAT 6 RJ45 Insert
- Metal Shielding to Minimise RF Interference
- Ideally Suited for Universal Applications
- Optional White or Red LED Writing
- Made in Australia

In the box

- Adaptor Only



Model Code	XRS-RJ45W6	XRS-RJ45R6
Description	RJ45 Pass-Through Adaptor - Type 6 (White)	RJ45 Pass-Through Adaptor - Type 6 (Red)
EAN	93 19493 31335 3	93 19493 31334 6
Country of Origin	Australia	
Warranty	1 Year	
SRP	\$38.00	
Available From	15 th March 2021	
Package Dimensions	120(H) x 90 (W) x 35 (D) mm	

GME Pty Ltd. ABN: 93 000 346 814 ACN: 000 346 814

gme.net.au T: (02) 8867 6000 | F: (02) 8867 6199 | Sales: 1300 463 463 | Email: enquiries@gme.net.au
 Head Office: 17 Gibbon Road, Winston Hills, NSW 2153, Australia | PO Box 96, Winston Hills, NSW 2153, Australia