



USER MANUAL



TX3600T

***TELEMETRY
TRANSCEIVER***

**STANDARD COMMUNICATIONS
PTY. LTD.**

Packing List

- TX3600T Transceiver
- Mounting Bracket & Screws
- Instruction leaflet
- DC Power Cable

GENERAL

The TX3600T Telemetry radio is an integral part of the GME Electrophone Telemetry system. The radio is based on the highly successful range of GME UHF radios.

The TX3600T has no visible controls. It is designed to be pre-programmed using a PC and Custom Dealer Software. Once programmed it can be put into service locally or installed at a remote site where it is used to pass Telemetry signals for the purpose of controlling and monitoring remote devices.

The operational state of the radio is indicated by an LED on the front panel adjacent to the TX3600 label. The LED has four states:

Solid Green: Power is connected

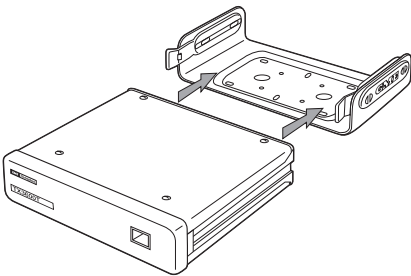
Flashing Green: Radio is in sleep mode.

Solid Orange: Radio is Receiving

Solid Red: Radio is Transmitting.

INSTALLING THE TX3600T

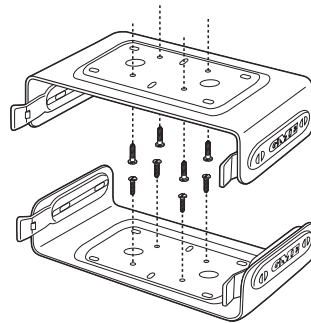
The TX3600T is supplied with a "slide in" mounting bracket and mounting screws.



The radio can be mounted in any convenient location or at any suitable angle.

Fit the radio into the bracket and place it in

the required position. Mark the location of the bracket with a pencil. Remove the radio from the bracket, reposition the bracket and mark the location of the mounting holes. Drill the holes and screw the bracket in place. Refit the radio.



DC POWER CONNECTION

The TX3600T is designed for 13.8 Volt DC negative earth installations only. Connect the radio's negative (black) lead to the negative terminal of the DC power source. Connect the radio's positive (red) lead to the positive terminal of the DC power source.

ANTENNA CONNECTION

Connect the co-ax cable connector from a suitable UHF antenna to the BNC antenna connector on the rear of the radio. The antenna should be tuned to match the frequency band of any channels programmed into the radio.

INTERFACING THE RADIO

The radio can either be connected to a PC and used to control a telemetry system, or it can be installed at a remote location and connected to a Control Interface Unit (CIU) to provide remote monitoring or control of devices at the remote site.

Connecting to a PC

When connected to a PC, the TX3600 can be accessed by the GME Super-Vise Telemetry software to monitor and control an entire Telemetry system.

The PC connects to the TX3600T via an LE004 serial interface lead. The lead is terminated at one end with a 26 way connector which installs inside the radio.

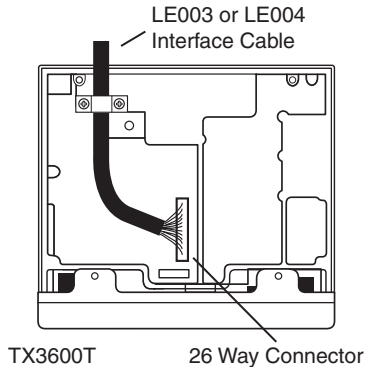
Connecting to a control Interface Unit (CIU)

When connected to a CIU the TX3600T passes telemetry signals between the CIU and the telemetry Control Station.

The CIU connects to the TX3600 via an LE003 interface lead. The lead is terminated at one end with a 26 way connector which installs inside the radio.

Installing the LE003 or LE004 Interface cable:

1. Place the radio flat on the workbench so that the BNC antenna connector is at the bottom of the rear panel.
2. Remove the 4 screws from the radio's top cover and remove the cover.
3. Locate the 26 way socket on the circuit board at the centre-front of the radio.
4. Plug the 26 way connector on the LE003 or LE004 Interface cable into this socket. The plug and socket are keyed to ensure correct orientation.
5. Remove the two screws which secure the saddle clamp near the radio's rear panel and remove the bung from the access hole.
6. Lay the cable in the recess in the chassis and extend it through the rear panel slot. Refit the saddle clamp and tighten the screws.
7. Re-fit the top cover.



For details on connecting the TX3600T to a CIU or a PC or for general installation options and tips, refer to the Telemetry System Manual P/N 310181.

OPTIONAL AUDIO KIT

An optional AK3600 Audio Kit is available for the TX3600T. The AK3600 consists of an extension speaker and a remote head unit that plugs into the front panel socket to provide limited control features and allow voice talk-through operation. The audio kit is useful for testing radio links associated with the GME Telemetry system during installation and service.

WARRANTY

GME ELECTROPHONE limit this warranty to the original purchaser of the equipment.

GME ELECTROPHONE warrant this TX3600 to be free from defects in material and workmanship for a period of twenty four (24) months from the date of purchase from their authorised dealer.

Should the product require servicing during this period, all labour and parts used to effect repairs will be supplied free of charge. GME ELECTROPHONE reserve the right to determine whether damage has been occasioned by accident, misuse or improper installation whereby the warranty would be void, including:

Equipment which has been damaged due to:

- (a) Incorrect or reverse polarity connection to a battery or power supply.
- (b) Connection to incorrect supply voltage.

- (c) Operation without an antenna or by connection to an antenna which has been incorrectly installed, resulting in damage to the transceiver's output circuit.
- (d) Effects of water or moisture penetration.
- (e) Non-factory modifications.

Procedure to be followed by claimant: In the event of a defect occurring during the warranty period, the original Purchaser may return the defective unit along with suitable proof of purchase date (i.e. receipt, docket, credit card slip etc.) and a full description of the defect to the Dealer from whom the unit was purchased.

All freight charges incurred for transportation by the Dealer or GME ELECTROPHONE are the Purchaser's responsibility.

The Dealer will forward it to the closest authorised GME ELECTROPHONE Service Depot in your particular State.

GME ELECTROPHONE AFTER SALES SERVICE

Your ELECTROPHONE transceiver is especially designed for the environment encountered in mobile or portable installations. The use of all solid state circuitry, careful design and rigorous testing, result in high reliability. Should failure occur however, GME ELECTROPHONE maintain a fully equipped service facility and spare parts stock to meet the customer's requirements long after expiry of the warranty period.



A Division of

STANDARD COMMUNICATIONS PTY. LTD.

Website: www.gme.net.au

* **Head Office: SYDNEY**

6 Frank Street,
GLADESVILLE 2111
(02) 9844 6666
Fax : (02) 9844 6600

MELBOURNE

103 Woodlands Drive,
BRAESIDE 3195
(03) 9590 9333
Fax: (03) 9590 9344

BRISBANE

Unit 1, 89-101 Factory Rd.,
OXLEY 4075
(07) 3278 6444
Fax: (07) 3278 6555

ADELAIDE

Unit 1, 4 West Thebarton Rd,
THEBARTON 5031
(08) 8234 2633
Fax: (08) 8234 5138

PERTH

Unit 1, 10-12 Harvard Way,
CANNING VALE 6155
(08) 9455 5744
Fax: (08) 9455 3110

AUCKLAND

P.O. Box 58446
GREENMOUNT
(09) 274 0955
Fax: (09) 274 0959