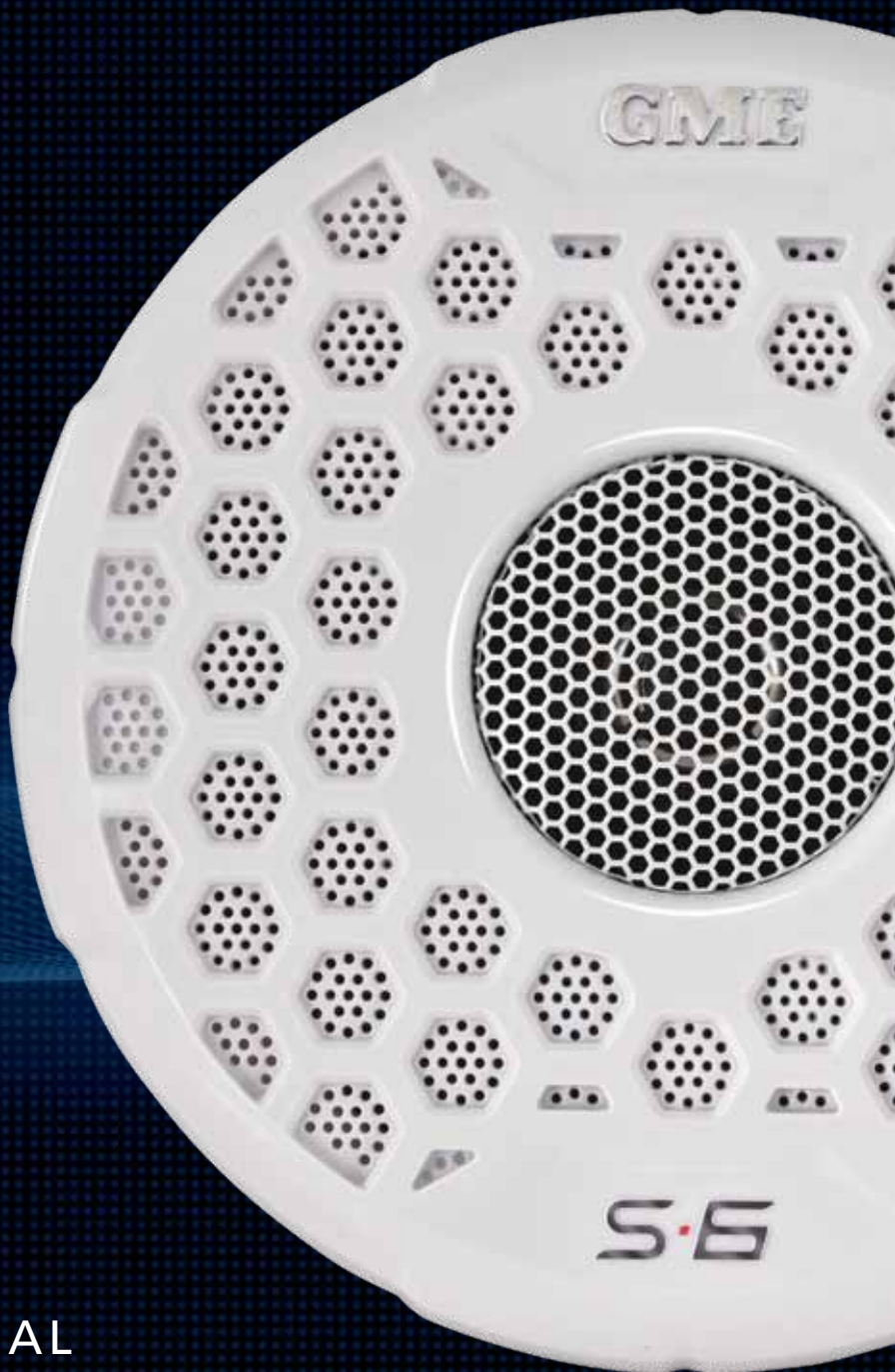




S·E

**MARINE
SPEAKERS**



**GS600
INSTRUCTION MANUAL**

INTRODUCTION

Congratulations on your purchase of the GME Marine Speakers.

These speakers are designed to the highest level of quality and will offer you years of listening enjoyment.

Thank you for making GME your choice for marine audio equipment.

SUPPLIED IN THE BOX

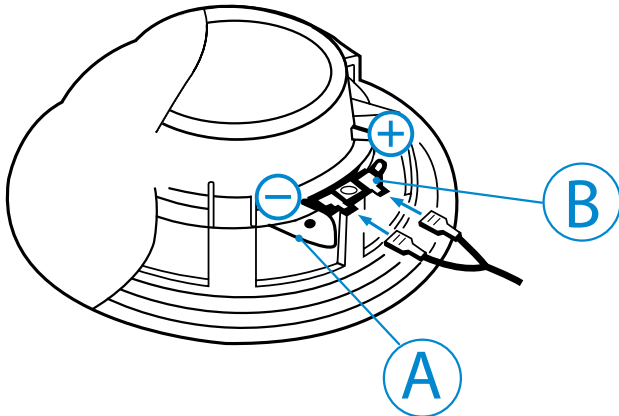
- 2 x S6 Speakers with white grilles
- 2 x 5 metre lengths of speaker cable
- 8 x mounting screws
- 8 x mounting clips
- 1 x mounting template
- 1 x instruction manual

Optional accessory – black speaker grilles x 2 (part number S6BG)

MOUNTING INSTRUCTIONS

PRECAUTIONS

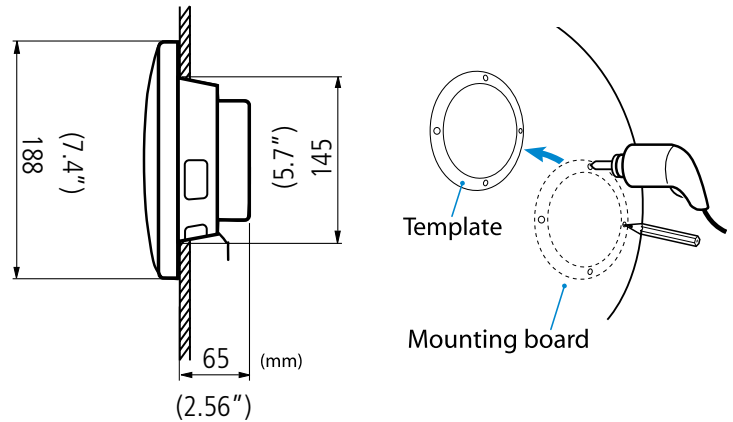
1. Please avoid contact with inside speaker wire (A)
2. Do not change the polarity of the speaker terminal assembly (B)



3. Make sure lead and speaker terminals do not contact metal.
4. When making connections, please refer to the instruction manual of marine stereo used.

MOUNTING

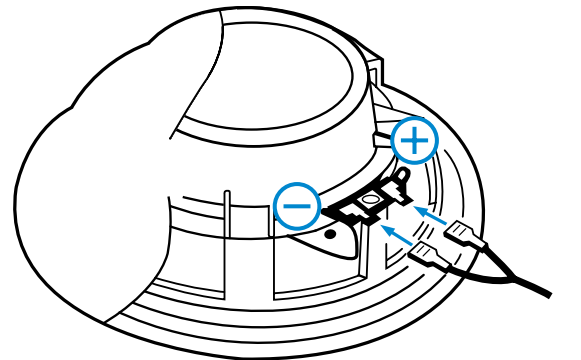
1. When mounting the speakers in the kick panel, make sure there is a clearance of 65 mm (2.56") behind the well.



2. Use the template supplied to mark the position of the mounting screws and the outline of the speaker hole. Drill the mounting holes using a 3.3 mm drill bit and cut the hole for the speaker.

CONNECTING

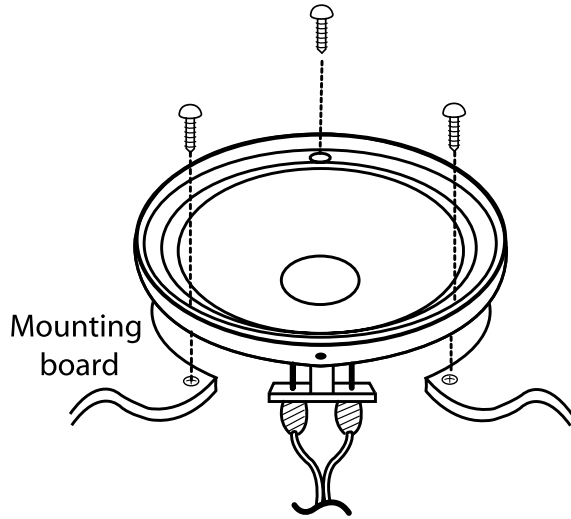
1. Attach the speaker wires (supplied) to the speaker terminals be sure to connect the striped wire to the negative (-) terminal, and the other wire to the positive (+) terminal of the speaker. Connect the other end of the speaker wires to your amplifier/stereo.



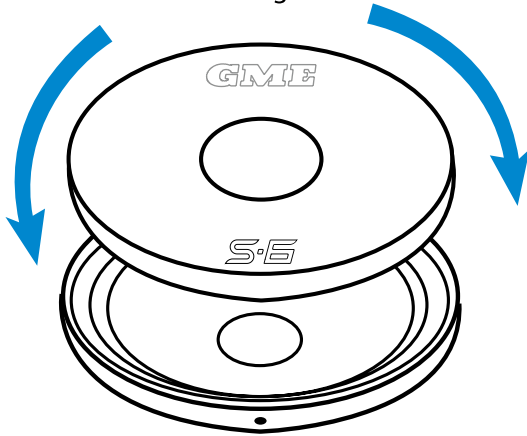
To amp/stereo

2. Remove the speaker grille (turn anti-clockwise). Fit the speaker into the cutout and secure the speaker using the screws (supplied).

Replace the speaker grille on the speaker (turn clockwise) until the grille locks into place.



Turn Clockwise
to fit grille



Turn Anti-clockwise
to remove grille

SPEAKER SPECIFICATIONS

System	Coaxial woofer/tweeter
Power (watts)	140
Tweeter	Neo PEI Dome
Efficiency (1W/1M)	89 dB
Frequency Response	70 Hz - 20 kHz
Impedance (Ohms)	4
Weight - kgs, (lbs)	1.02 (2.25)
Speaker depth - mm (inches)	65 (2.56)

This warranty against defects is given by Standard Communications Pty Ltd ACN 000 346 814 (We, us, our or GME). Our contact details are set out in clause 2.7. This warranty statement only applies to products purchased in Australia. Please contact your local GME distributor for products sold outside of Australia. Local distributor details at www.gme.net.au/export.

1. Consumer guarantees

- 1.1 Our goods come with guarantees that cannot be excluded under the Australian Consumer Law. You are entitled to a replacement or refund for a major failure and for compensation for any other reasonably foreseeable loss or damage. You are also entitled to have the goods repaired or replaced if the goods fail to be of acceptable quality and the failure does not amount to a major failure.
- 1.2 To the extent we are able, we exclude all other conditions, warranties and obligations which would otherwise be implied.

2. Warranty against defects

- 2.1 This warranty is in addition to and does not limit, exclude or restrict your rights under the Competition and Consumer Act 2010 (Australia) or any other mandatory protection laws that may apply.
- 2.2 We warrant our goods to be free from defects in materials and workmanship for the warranty period (see warranty table) from the date of original sale (or another period we agree to in writing). Subject to our obligations under clause 1.2, we will at our option, either repair or replace goods which we are satisfied are defective. We warrant any replacement parts for the remainder of the period of warranty for the goods into which they are incorporated.
- 2.3 To the extent permitted by law, our sole liability for breach of a condition, warranty or other obligation implied by law is limited
 - (a) in the case of goods we supply, to any one of the following as we decide -
 - (i) the replacement of the goods or the supply of equivalent goods;
 - (ii) the repair of the goods;
 - (iii) the cost of repairing the goods or of acquiring equivalent goods;
 - (b) in the case of services we supply, to any one of the following as we decide –
 - (i) the supplying of the services again;
 - (ii) the cost of having the services supplied again.
- 2.4 For repairs outside the warranty period, we warrant our repairs to be free from defects in materials and workmanship for three months from the date of the original repair. We agree to re-repair or replace (at our option) any materials or workmanship which we are satisfied are defective.
- 2.5 We warrant that we will perform services with reasonable care and skill and agree to investigate any complaint regarding our services made in good faith. If we are satisfied that the complaint is justified, and as our sole liability to you under this warranty (to the extent permitted at law), we agree to supply those services again at no extra charge to you.
- 2.6 To make a warranty claim you must before the end of the applicable warranty period (see warranty table), at your own cost, return the goods you allege are defective, provide written details of the defect, and give us an original or copy of the sales invoice or some other evidence showing details of the transaction.
- 2.7 Send your claim to: Standard Communications Pty Ltd.
Unit B, 22-24 College Street, Gladesville, NSW 2111, Australia. Tel: (02) 9879 8888
Fax: (02) 9816 4722.
Email: servadmin@gme.net.au

2.8 If we determine that your goods are defective, we will pay for the cost of returning the repaired or replaced goods to you, and reimburse you for your reasonable expenses of sending your warranty claim to us.

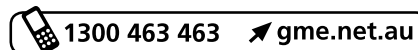
3. What this warranty does not cover

- 3.1 This warranty will not apply in relation to:
 - (a) goods modified or altered in any way;
 - (b) defects and damage caused by use with non Standard Communications products;
 - (c) repairs performed other than by our authorised representative;
 - (d) defects or damage resulting from misuse, accident, impact or neglect;
 - (e) goods improperly installed or used in a manner contrary to the relevant instruction manual; or
 - (f) goods where the serial number has been removed or made illegal.

4. Warranty period

4.1 We provide the following warranty on GME and Kingray products. No repair or replacement during the warranty period will renew or extend the warranty period past the period from original date of purchase.

PRODUCT TYPE	WARRANTY PERIOD
Marine stereo speakers	3 years



A division of Standard Communications Pty Ltd.
Head Office: PO Box 96, Winston Hills, NSW 2153, Australia.
New Zealand: PO Box 58-446 Botany, Auckland, 2163, NZ. T:(09) 274 0955.
All other international enquires email: export@gme.net.au



Outer edge of grill

Speaker hole

188 mm diameter

145 mm diameter

3.3 mm drill bit

6.8 mm

Mounting template

DN - 46730-1 PN - 310587

GS600