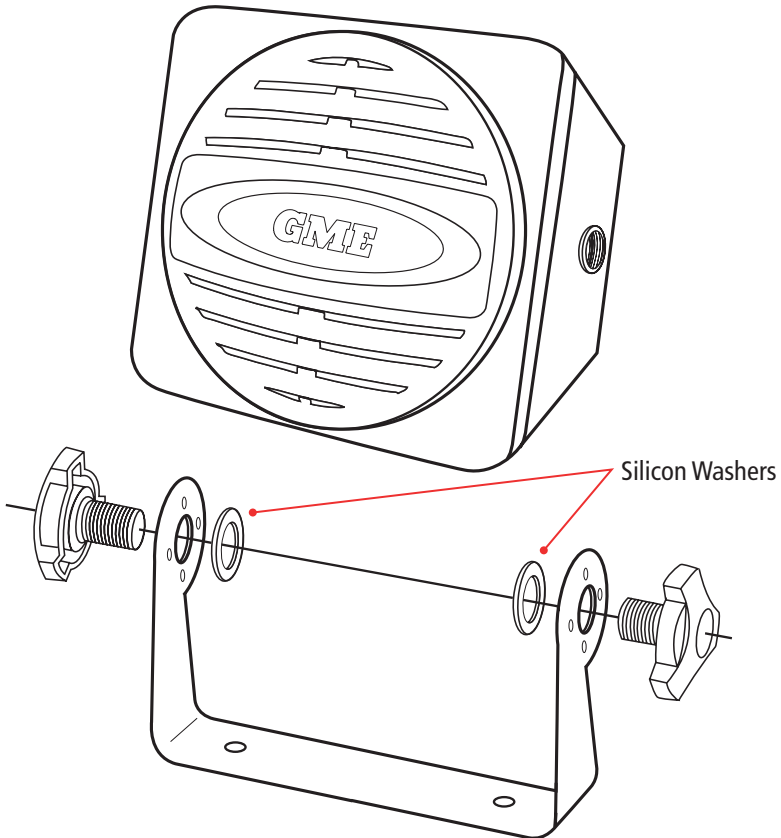




# SPK005 & SPK006 Marine Stereo Box Speakers

## MOUNTING INSTRUCTIONS



## IMPORTANT NOTE

When mounting the SPK005 and SPK006 Marine Speakers to the mounting bracket supplied; the silicon washer is to be placed between the mounting bracket and outer case of the speaker. By fitting the washer in this position, it will ensure the waterproof characteristics of these products.

## WARRANTY

GME limit this warranty to the original purchaser of the equipment.

GME warrant this product to be free from defects in material and workmanship for a period of thirty six (36) months from the date of purchase from their authorised retailer.

Should the product require servicing during this period, all labour and parts used to effect repairs will be supplied free of charge. GME reserve the right to determine whether damage has been occasioned by accident, misuse or improper installation whereby the warranty would be void, including equipment which has been damaged due to:

- (a) Reverse polarity connection to a battery or power supply.
- (b) Connection to an incorrect supply voltage.
- (c) Non factory modification or repairs.
- (d) Use of incorrect or replacement fuse.
- (e) Lightning strike or static discharge.

Procedure to be followed by claimant: In the event of a defect occurring during the warranty period, the original purchaser may return the defective unit along with suitable proof of purchase date

(i.e. receipt, docket, credit card slip etc.) and a full description of the defect to the retailer from whom the unit was purchased. All freight charges incurred for transportation by the retailer or GME are the purchaser's responsibility.

## GME AFTER SALES SERVICE

Your GME product is especially designed for the environment encountered in domestic or marine installations. The use of all solid state circuitry, careful design and rigorous testing, result in high reliability. Should failure occur however, GME maintain a fully equipped service facility and spare parts stock to meet the customer's requirements long after expiry of the warranty period.



A Division of

**Standard Communications PTY. LTD.**



**Head Office: SYDNEY**- Locked Bag 2086, North Ryde, N.S.W. 1670, Australia. Tel: +61 (0)2 9844 6666 Fax : +61 (0)2 9844 6600

### MELBOURNE

7 Micro Circuit  
DANDENONG STH 3175  
Tel: (03) 9798 0988  
Fax: (03) 9798 0177

### ADELAIDE

14 Phillips Street  
THEBARTON 5031  
Tel: (08) 8234 2633  
Fax: (08) 8234 5138

### PERTH

Unit 1  
10-12 Harvard Way  
CANNING VALE 6155  
Tel: (08) 9455 5744  
Fax: (08) 9455 3110

### BRISBANE

Unit 1  
89-101 Factory Road  
OXLEY 4075  
Tel: (07) 3278 6444  
Fax: (07) 3278 6555

### SYDNEY

Unit B  
22-24 College Street  
GLADESVILLE 2111  
Tel: (02) 9879 8888  
Fax: (02) 9816 4722

### AUCKLAND

Unit 2  
24 Bishop Dunn Pl.  
East Tamaki  
Manukau, 2013 NZ  
Tel: (09) 274 0955  
Fax: (09) 274 0959

For customers outside Australia and New Zealand please contact your local GME Distributor or email: [export@gme.net.au](mailto:export@gme.net.au)

Part Number: 310435 Drawing Number: 44308-1

**Website: [www.gme.net.au](http://www.gme.net.au)**